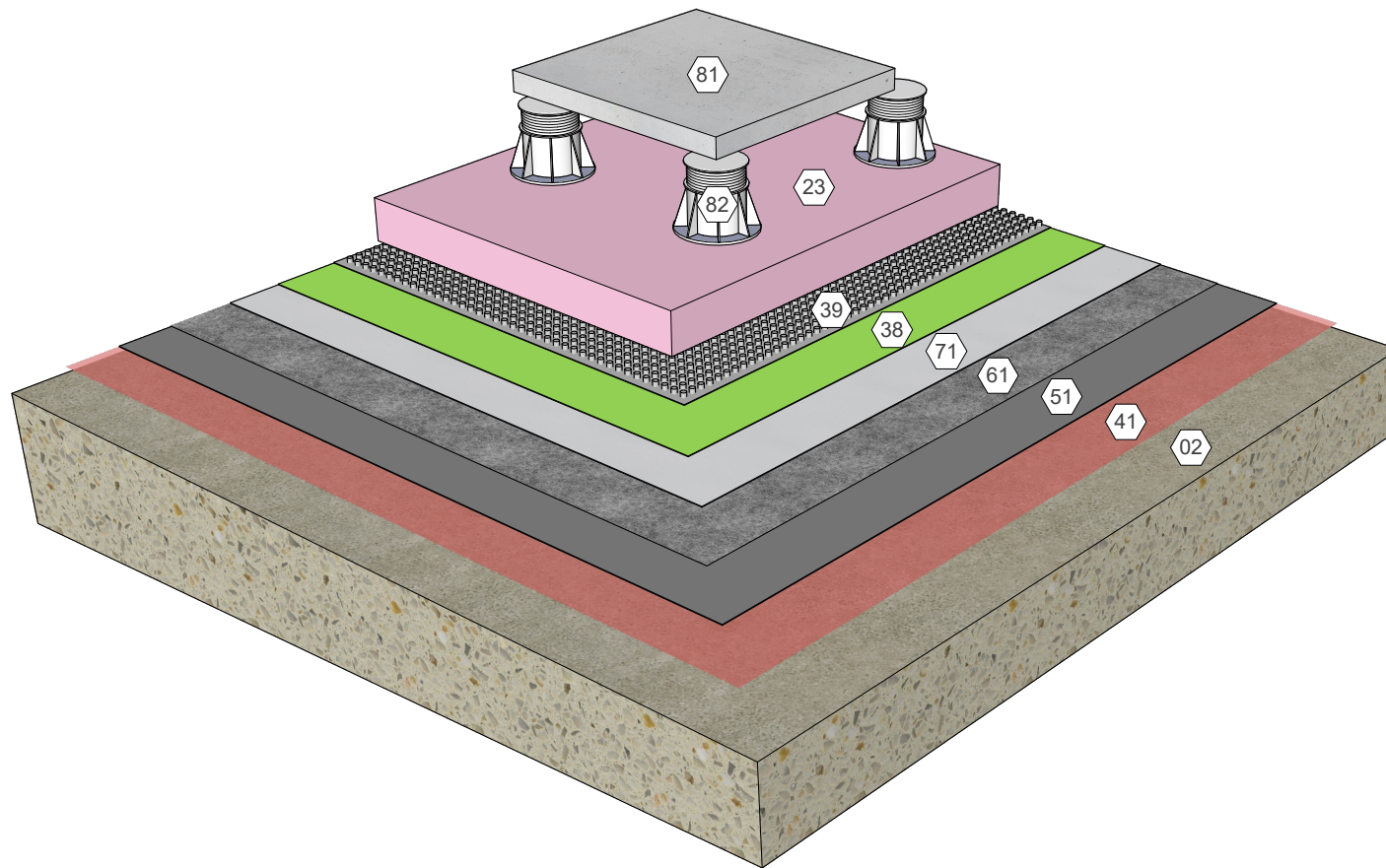


KEY NOTES

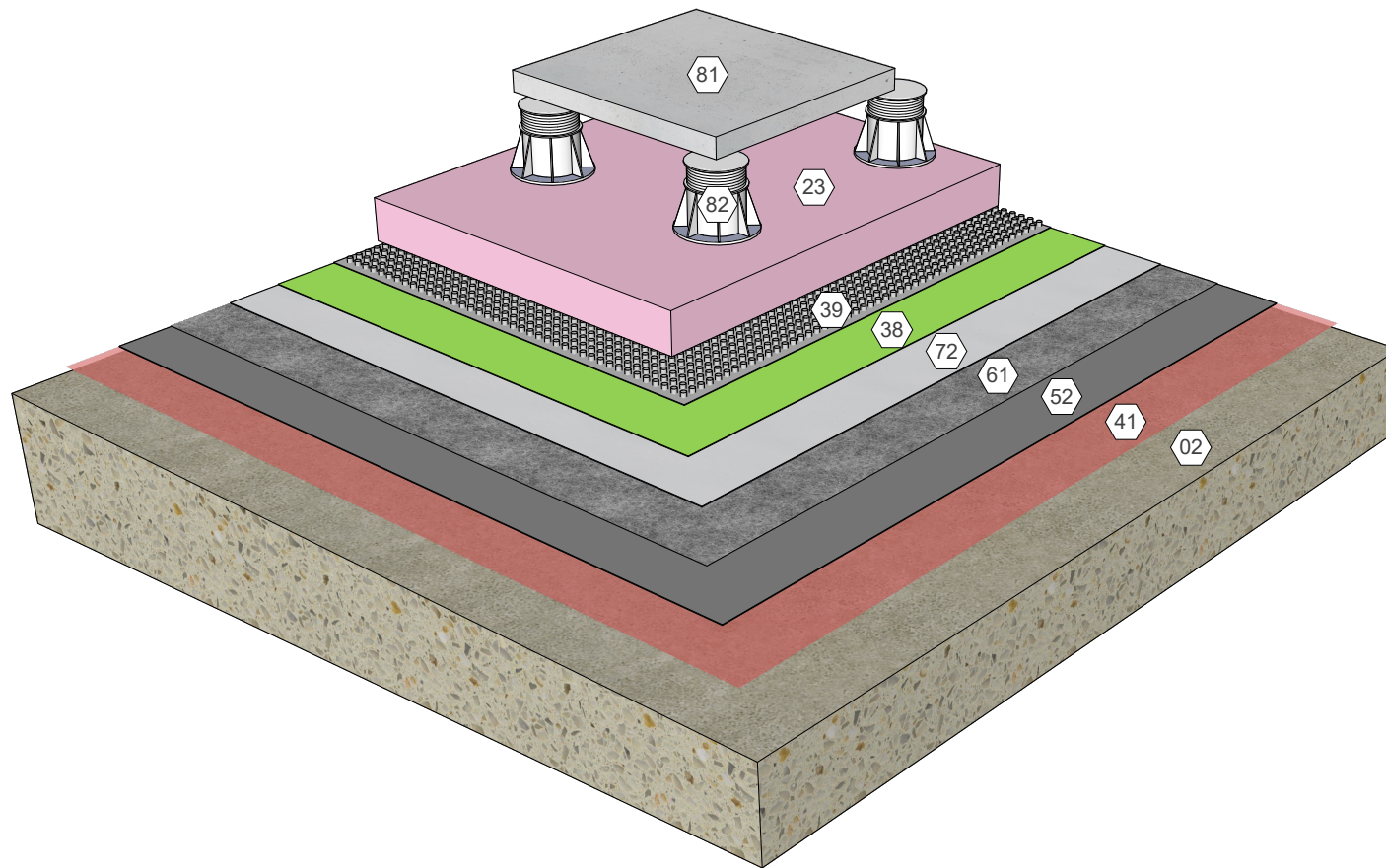
- 02 Structural Concrete Deck
- 23 Approved Insulation
- 38 Protection Sheet, Optional
- 39 Drainage Board with Fabric
- 41 Approved Primer
- 51 AlphaGuard MT/MTS Base Coat
- 61 AlphaGuard Glass Mat or Permafab
- 71 AlphaGuard MT/MTS Top Coat
- 81 Paver
- 82 Paver Pedestal



AlphaGuard® MT/MTS Plus System Components, Direct to Concrete
Detail 10001

KEY NOTES

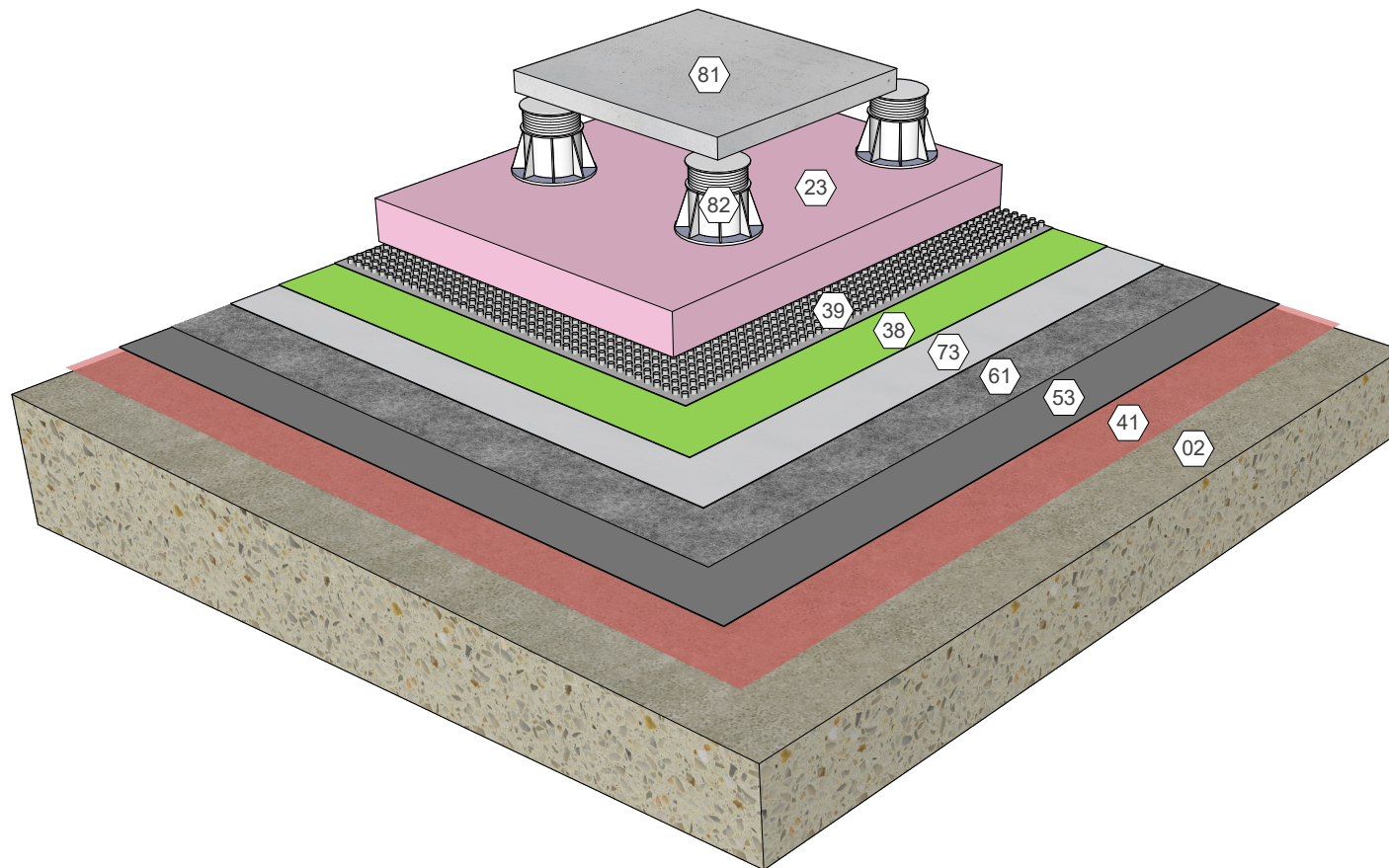
- 02 Structural Concrete Deck
- 23 Approved Insulation
- 38 Protection Sheet, Optional
- 39 Drainage Board with Fabric
- 41 Approved Primer
- 52 AlphaGuard BIO Base Coat
- 61 AlphaGuard Glass Mat or Permafab
- 72 AlphaGuard BIO Top Coat
- 81 Paver
- 82 Paver Pedestal



AlphaGuard® BIO System Components, Direct to Concrete
Detail 10002

KEY NOTES

- 02 Structural Concrete Deck
- 23 Approved Insulation
- 38 Protection Sheet, Optional
- 39 Drainage Board with Fabric
- 41 Approved Primer
- 53 AlphaGuard PUMA Base Coat
- 61 AlphaGuard Glass Mat or Permafab
- 73 AlphaGuard PUMA Top Coat
- 81 Paver
- 82 Paver Pedestal



AlphaGuard® PUMA System Components, Direct to Concrete
Detail 10003